

FED SUP CLASS  
5310

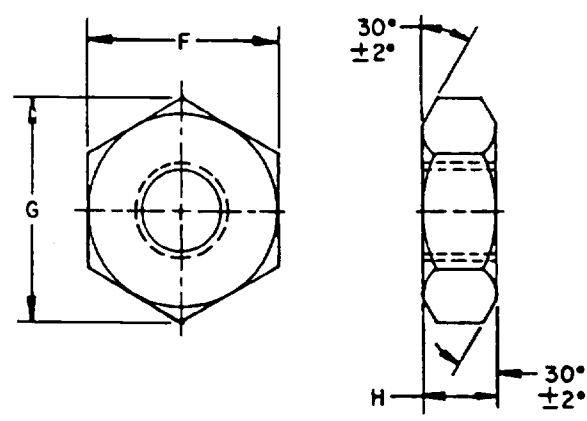


TABLE I. DASH NUMBERS AND DESIGN CONFIGURATIONS.

DASH NUMBER				THREAD SIZE	F WIDTH ACROSS FLATS		G WIDTH ACROSS CORNERS		E THICKNESS		
CAD	PROS	CARBON STEEL	CRS STEEL		BRASS	MAX	MIN	MAX	MIN	MAX	MIN
312	13	314	315	.0600-8UNF-2B	.156	.150	.180	.171	.050	.043	
322	23	324	325	.0860-64UNF-2B	.187	.180	.217	.205	.066	.057	
342	43	344	345	.1120-48UNF-2B	.250	.241	.289	.275	.098	.087	
362	63	364	365	.1380-40UNF-2B	.312	.302	.361	.344	.114	.102	
382	83	384	386	.1640-36UNF-2B	.344	.332	.397	.378	.130	.117	
302	103	304	305	.1900-32UNF-2B	.375	.362	.433	.413	.130	.117	
3252	—	3254	3255	.2500-28UNF-2B	.437	.423	.505	.480	.195	.178	
3312	—	3314	3315	.3125-24UNF-2B	.562	.545	.650	.621	.225	.208	
3382	—	3384	3385	.3750-24UNF-2B	.625	.607	.722	.692	.257	.239	
3392	—	3394	3395	.5000-20UNF-2B	.813	.788	.940	.898	.442	.402	
3402	—	3404	3405	.6250-18UNF-2B	1.000	.969	1.155	1.104	.553	.509	

REQUIREMENTS:

- MATERIAL:** STEEL, CARBON, SHALL BE IN ACCORDANCE WITH PROCUREMENT SPECIFICATION. STEEL, CORROSION RESISTANT, SERIES 302 THRU 305 (UNS S30200 THRU UNS S30500), 316 (UNS S31600), 317 (UNS S31700) AND 347 (UNS S34700), IN ACCORDANCE WITH PROCUREMENT SPECIFICATION. BRASS, ALLOY 462 (UNS C46200) OR 464 (UNS C46400) IN ACCORDANCE WITH QQ-B-637 OR ALLOY 360 (UNS C36000), IN ACCORDANCE WITH QQ-B-626.
- MAGNETIC PERMEABILITY:** CORROSION RESISTANT STEEL FASTENERS SHALL HAVE A MAGNETIC PERMEABILITY OF 2.00 MAXIMUM (AIR = 1.00) AT A FIELD STRENGTH OF H = 200 OERSTEDS USING A MAGNETIC INDICATOR IN ACCORDANCE WITH MIL-I-17214.
- PROTECTIVE COATING AND SURFACE TREATMENT:** STEEL, CARBON-CADMIUM PLATING OR PHOSPHATE COATING IN ACCORDANCE WITH PROCUREMENT SPECIFICATION.  
STEEL, CRS - CLEANED, DESCALED AND PASSIVATED IN ACCORDANCE WITH ASTM A380.  
BLACK OXIDE COATING IN ACCORDANCE WITH MIL-C-13924, CLASS 2.  
BRASS - BLACK OXIDE COATED IN ACCORDANCE WITH PROCUREMENT SPECIFICATION.  
TIN PLATED IN ACCORDANCE WITH ASTM B545, .0001 INCH THICK.  
SILVER PLATED IN ACCORDANCE WITH QQ-S-365, .0001 INCH THICK.  
NICKEL PLATED IN ACCORDANCE WITH PROCUREMENT SPECIFICATION.
- THREADS:** THE THREADS SHALL BE IN ACCORDANCE WITH FED-STD-H28/2. ACCEPTABILITY OF SCREW THREADS SHALL BE IN ACCORDANCE WITH FED-STD-H28/21, SYSTEM 21.

Ⓢ ENTIRE STANDARD REVISED

APPROVED 22 DEC 55  
REVISED 7 OCT 85

P.A. Other Cost	AR 99	INTERNATIONAL INTEREST	TITLE NUT, PLAIN, HEXAGON, MACHINE SCREW, UNF-2B	MILITARY STANDARD MS35650
PROCUREMENT SPECIFICATION FF-N-836		SUPERSEDES AN 341 IN PART, AN 345 IN PART, MS20341 IN PART		PAGE 1 OF 3

User activities:  
ARMY-AT, M1  
NAVY-MC, OS, YD  
NSA-NS

Review activities:  
ARMY-AV, EA  
AIR FORCE-82  
DLA-15

DISTRIBUTION STATEMENT A. APPROVED FOR PUBLIC RELEASE; DISTRIBUTION IS UNLIMITED.  
This military standard is approved for use by all Departments and Agencies of the Department of Defense. Selection for all new engineering and design applications and for repetitive use shall be made from this document when applicable.

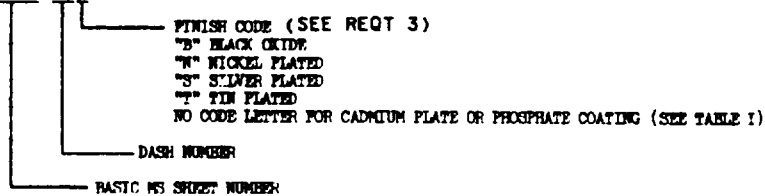
User activities:  
ARMY-AT,MI  
NAVY-MC,OS,YD  
NSA-NS

Review activities:  
ARMY-AV,EA  
AIR FORCE-82  
DLA-IS

This military standard is approved for use by all Departments and Agencies of the Department of Defense. Selection for all new engineering and design applications and for repetitive use shall be made from this document when applicable.

5. PART NUMBER. THE PART NUMBER SHALL CONSIST OF THE BASIC MS SHEET NUMBER FOLLOWED BY A DASH NUMBER TAKEN FROM TABLE I, FOLLOWED BY THE FINISH CODE LETTERS ("B" FOR BLACK OXIDE), ("N" FOR NICKEL PLATED), ("S" FOR SILVER PLATED), ("T" FOR TIN PLATED) AND NO CODE LETTER FOR CADMIUM PLATE OR PHOSPHATE COATING.

EXAMPLE: MS35650-325B



MS35650-325B INDICATES - NUT, PLAIN, HEXAGON, MACHINE SCREW, THREAD SIZE .0860-64UNF-2B; BRASS; BLACK OXIDE COATED.

MS PART NUMBERS FOR BRASS NUTS SINCE MS 35650 REVISION F HAVE REQUIRED A "B" IN THE PART NUMBER TO INDICATE BLACK OXIDE COATING. PRIOR TO MS35650 REVISION F, PAST REVISIONS DID NOT REQUIRE THE "B" IN THE BRASS NUT PART NUMBER TO DENOTE BLACK OXIDE COATING. IN EITHER CASE i.e. FORMER PRACTICE (WITHOUT THE "B") OR PRESENT PRACTICE (WITH THE "B") THE MS35650 PART NUMBER FOR BRASS NUTE REQUIRE BLACK OXIDE COATING.

NOTES

1. DIMENSIONS ARE IN INCHES.
2. NUTS SHALL BE FREE OF ALL LOOSE OR HANGING BURRS AND SLIVERS WHICH MIGHT BECOME DISLODGED UNDER USAGE.
3. NUTS SPECIFIED HEREIN ARE TYPE II, STYLE 13 IN ACCORDANCE WITH PROCUREMENT SPECIFICATION.
4. IN THE EVENT OF A CONFLICT BETWEEN THE TEXT OF THIS STANDARD AND THE REFERENCE CITED HEREIN THE TEXT OF THIS STANDARD SHALL TAKE PRECEDENCE.
5. REFERENCED GOVERNMENT (OR NON GOVERNMENT) DOCUMENTS OF THE ISSUE LISTED IN THAT ISSUE OF THE DEPARTMENT OF DEFENSE INDEX OF SPECIFICATIONS AND STANDARDS (D&DISS) SPECIFIED IN THE SOLICITATION FORM A PART OF THIS STANDARD TO THE EXTENT SPECIFIED HEREIN.

APPROVED 22 DEC 65 REVISED 6 FOR CHANGES SEE PAGES 1, 2 AND 3

P.A. Other Cust	AR 99	INTERNATIONAL INTEREST	TITLE NUT, PLAIN, HEXAGON, MACHINE SCREW, UNF-2B	MILITARY STANDARD MS35650
PROCUREMENT SPECIFICATION FF-N-836		SUPERSEDES AN341 IN PART, AN345 IN PART, MS20341 IN PART		PAGE 2 OF 3

INTERCHANGEABILITY TABLES OF CANCELLED AND SUPERSEDING PART NUMBERS

THE FOLLOWING DASH NUMBERS AS GIVEN IN THE ORIGINAL ISSUE OF THIS STANDARD ARE CANCELLED AFTER 8 SEP 1966. THE CANCELLED NUTS SHOULD BE USED FOR MAINTENANCE PURPOSES UNTIL EXISTING STOCK IS DEPLETED. USE ONLY THE SUPERSEDING NUTS FOR NEW DESIGN.

TABLE II

DASH NUMBERS							
CANCELLED MS35650	SUPERSEDING MS35650	CANCELLED MS35650	SUPERSEDING MS35650	CANCELLED MS35650	SUPERSEDING MS35650	CANCELLED MS35650	SUPERSEDING MS35650
21	322	44	344	65	365	86	386
22	322	45	345	66	365	101	300
24	324	46	345	81	382	102	302
25	325	61	362	82	382	104	304
26	325	62	362	84	384	105	305
41	342	64	364	85	386	106	306
42	342						

THE FOLLOWING DASH NUMBERS OF AN341, AN345, AND MS20341 ARE CANCELLED AFTER 17 APR 1968. THE CANCELLED NUTS SHOULD BE USED FOR MAINTENANCE PURPOSES UNTIL EXISTING STOCK IS DEPLETED. USE ONLY THE SUPERSEDING NUTS OF MS35650 FOR NEW DESIGN.

TABLE III

DASH NUMBERS		DASH NUMBERS				DASH NUMBERS		
CANCELLED	SUPERSEDING	CANCELLED		SUPERSEDING		CANCELLED	SUPERSEDING	SUPERSEDING
AN345	MS35650	AN345	AN341	MS20341	MS35650	AN341	MS20341	MS35650
0	312	10	—	108	302	616	616A	302
03	314	C10	—	10C	304	—	616B	304
03	315	B10	—	—	305	—	816B	305
2	322	—	10	10A	305T	—	816C	306
02	324	—	—	10B	305S	816	816A	307
02	325	416	—	416S	3252	—	816E	308
4	342	C416	—	416C	3254	—	1016E	309
C4	344	R416	—	—	3255	—	1016C	310
B4	345	—	416	416A	3255T	1016	1016A	311
6	362	—	—	416B	3255S	—	1016B	312
06	364	516	—	516S	3312	—	—	—
B6	365	0516	—	516C	3314	—	—	—
8	382	B516	—	—	3315	—	—	—
08	384	—	516	516A	3315T	—	—	—
B8	386	—	—	516B	3315S	—	—	—
		616	—	616S	3382	—	—	—
		0616	—	616C	3384	—	—	—
		B616	—	—	3385	—	—	—

User activities:  
ARMY-AT,MI  
NAVY-MC,OS,YD  
NSA-NS

Review activities:  
ARMY-AVEA  
AIR FORCE-82  
DLA-IS

This military standard is approved for use by all Departments and Agencies of the Department of Defense. Selection for all new engineering and design applications and for repetitive use shall be made from this document when applicable.

APPROVED 22 DEC 55 REVISED FOR CHANGES SEE PAGES 1, 2 AND 3

FA Other Cost	AR 99	INTERNATIONAL INTEREST	TITLE NUT, PLAIN, HEXAGON, MACHINE SCREW, UNF-2B	MILITARY STANDARD MS35650
PROCUREMENT SPECIFICATION FF-N-836	SUPERSEDES	AN341 IN PART, AN345 IN PART, MS20341 IN PART		PAGE 3 OF 3